

Chest Freezer Solid Top Chest Freezer 59.5 " Long

ITEM # _____

MODEL # _____

NAME # _____

SIS # _____

AIA # _____



738231 (KCCF170WH)

Solid Top Chest Freezer 59.5
" Long

Short Form Specification

Item No. _____

Solid top chest freezer, 59.5 inches long, with foamed lid and soft closing mechanism to ensure gentle lid closure. Internal and external structure in white painted steel. Basket, vertical basket divider, NSF thermometer and lock included as standard. Defrost water drain with plug for easy cleaning. R290 refrigerant gas for the lowest environmental impact (GWP=3).

The temperature range is -15° to 10°F.

ETL safety and sanitation listed for US and Canada.

Equipped with NEMA 5-15P plug.

Main Features

- Temperature range of -15 to +10 F°
- Hydrocarbon refrigerant gas R290 for the lowest environmental impact (GWP=3) - CFC and HCFC free.
- Low energy consumption
- Mechanical control panel with adjustable temperature
- Included as standard 1 NSF® certified temperature gauge and 1 basket (including one vertical divider) durable and reliable for safety in food storage
- Removable rubber bumper guards
- Bottom drain with plug for easy interior cleaning and defrost water discharge

Construction

- Foamed lid for best insulation and product robustness
- Soft closing lid mechanism
- Static condenser
- Exterior and Interior finish in white painted steel
- Locking lid and key protect the contents of the unit
- Mounted on heavy-duty casters, two locking to keep unit in place but allows position adjusting.

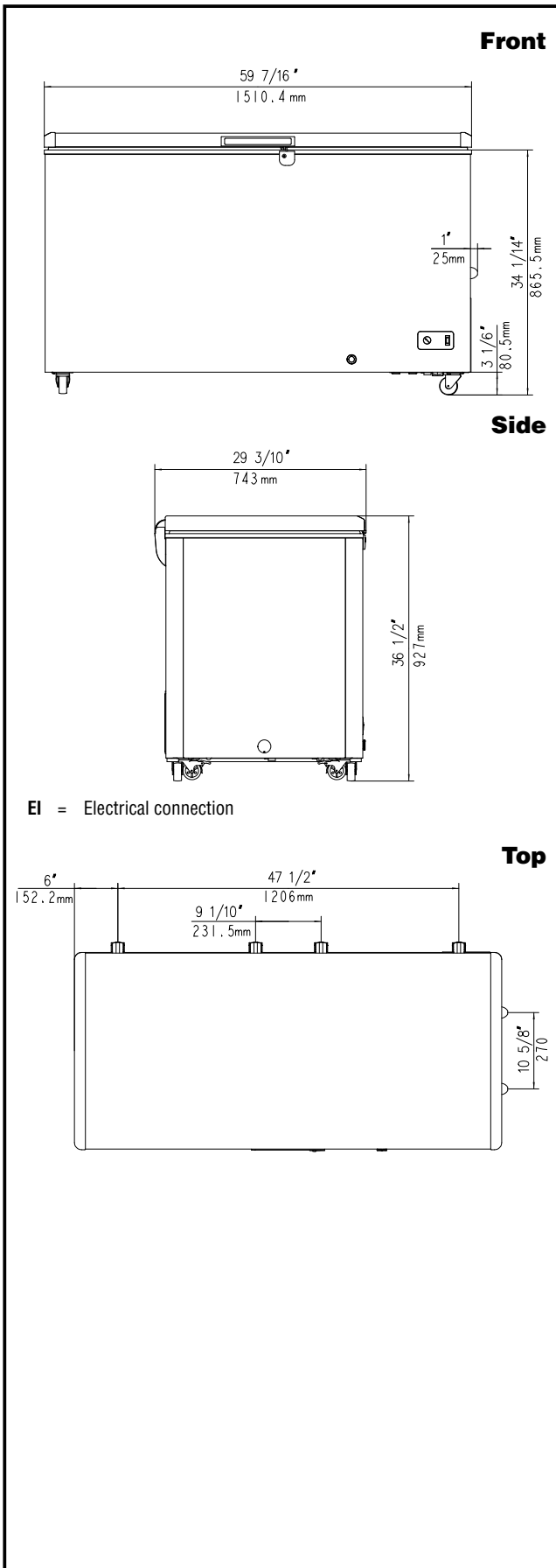
Sustainability

- CFC and HCFC free, highly ecological refrigerant type: R290 (ecological gas in foam: cyclopentane). Hydrocarbon refrigerant gas R290 for the lowest environmental impact (GWP=3), to reduce green house and ozone depletion effects.
- Hydrocarbon refrigerant gas R290 for the lowest environmental impact (GWP=3) - CFC and HCFC free.
- High efficiency components to minimize the energy consumption still guaranteeing the highest performances.

Optional Accessories

- Basket for Solid Top Chest Freezer PNC 882000
22.63x8.15x7.52 in. (575x207x191 mm)

APPROVAL: _____



Electric

Supply voltage:	738231 (KCCF170WH)	115 V/1 ph/60 Hz
Electrical power, max:		0.2 kW
Plug type:		USA NEMA 1-15P

Capacity:

Gross capacity:	17.7 cu.feet
------------------------	--------------

Key Information:

External dimensions, Width:	59 7/16" (1510 mm)
External dimensions, Depth:	29 5/16" (744.22 mm)
External dimensions, Height:	36 1/2" (927 mm)
Freezer baskets (Number/Type):	1 / Wire
Control	Mechanical
Warranty	1/5 Years
Internal Dimensions (depth):	21 5/8" / (550 mm)
Internal Dimensions (width):	53 3/4" / (1366 mm)
Net weight:	170 lbs (77 kg)
Shipping width:	30 1/2" (775 mm)
Shipping height:	42 1/64" (1067 mm)
Shipping weight:	205 lbs (93 kg)
Shipping volume:	46.22 ft ³ (1.31 m ³)
Approvals	;ENERGY STAR;ETL C&US;ETL SANITATION

Refrigeration Data

Condenser type:	Static
Temperature display location:	Internal
Compressor power:	1/5 hp
Operating temperature min.:	-14.8 °F
Operating temperature max.:	10.4 °F

Sustainability

Current consumption:	1.9 Amps
Refrigerant type:	R290
GWP Index:	3
Refrigerant weight:	119 g